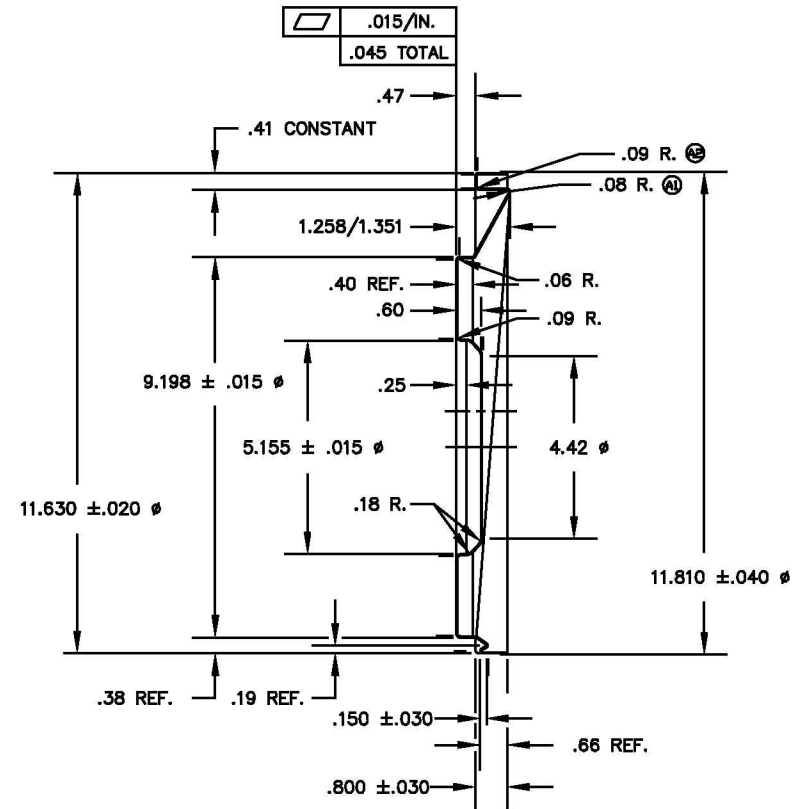
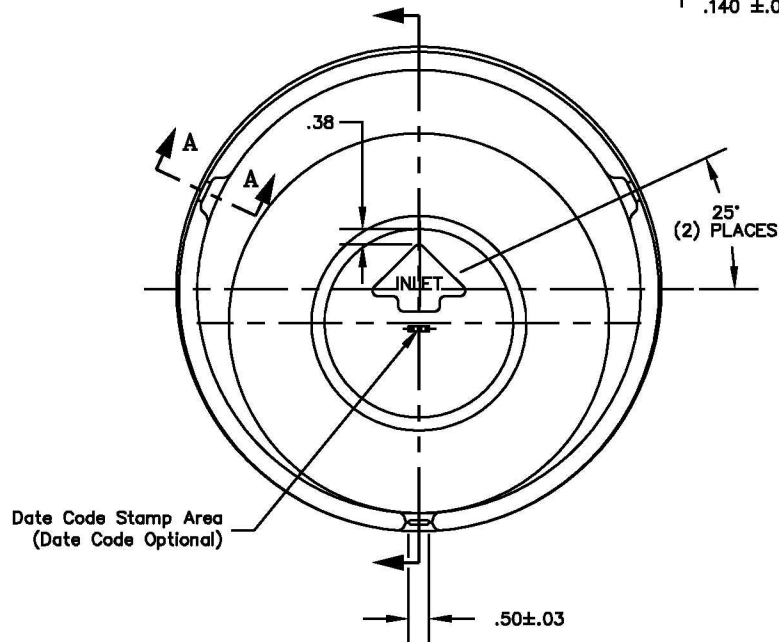


SECTION A~A  
SCALE: 1:1



NOTES

1. END CAP SURFACE TO BE FREE OF DENTS AND DEEP SCRATCHES.
2. OUTSIDE EDGE OF END CAP TO BE FREE OF BURRS.
3. ALL RADII .03 UNLESS OTHERWISE SPECIFIED.
4. EMBOSSED ARROW TO BE 2.25 WIDE x 1.66 LONG x .027 MAX. DEEP IN DIRECTION SHOWN.
5. EMBOSSED LETTERS "INLET" TO BE .25 HIGH APPROX. AND INSIDE ARROW AS SHOWN.
6. END CAP TO BE FREE OF OIL, GREASE OR OTHER LUBRICANTS.

<b>RELIANCE</b>		617 N. State St. Eglin, Illinois (647) 695-1234	
TOOL & MFG. CO.		CUSTOMER	RELIANCE'S JOB NO.
PART <b>END_CAP_(EC1)</b>		MATERIAL / HARDNESS	FORMAT REQ.
TOLERANCES UNLESS SPECIFIED	REFERENCES	DIE NO.	SCALE
ANGLES 31° FRACTURES 41/64 300 3000 3000 & .0005	DRAWN BY	REVISION	DETAIL NO.
	DATE	DATE	SHEET OF

A	01/31/07	WAS 1).05 2).060	MB
REV.	DATE	CHANGE	BY