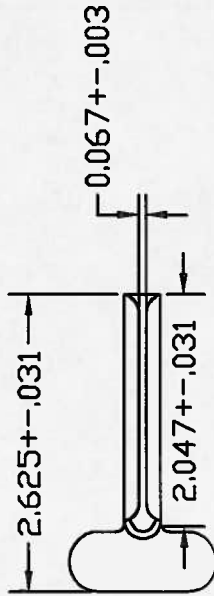
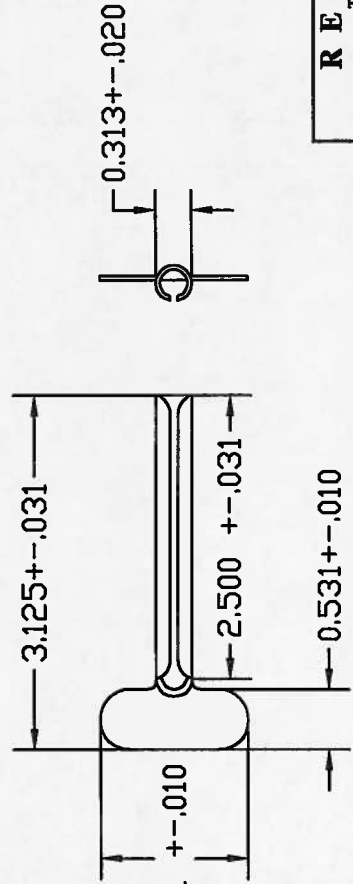


M1 Tube Key



M2 Tube Key



M3 Tube Key

RELIANCE		500 N. State St. Suite 101 High Point, NC (847) 888-1234	
TOOL & MFG. CO.		QUANTITIES AND TO	UNIT PRICE
Description		DATE / PROJECT	
Part		DATE	
Tube Keys		DATE	
MATERIAL		DATE	
FINISH		DATE	
DRAWN BY: KWK		CHECKED BY:	
DATE: 02/11/19		DATE:	